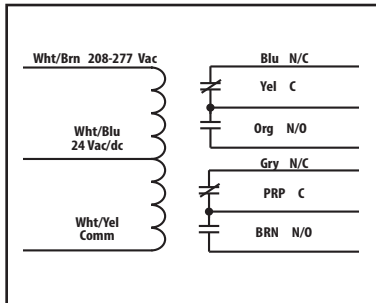


LR2402B2G

Enclosed Relay 20 Amp DPDT with
 24 Vac/dc/208-277 Vac Coil



20 AMP POWER CONTROL RELAY



SPECIFICATIONS

Relays & Contact Type: DPDT Continuous Duty Coil

Expected Relay Life: 10 million cycles minimum mechanical

Operating Temperature: -30 to 140° F

Humidity Range: 5 to 95% (noncondensing)

Operate Time: 18ms

Relay Status: LED On = Activated

Dimensions: 2.30" x 3.20" x 1.80" with .75" NPT Nipple

Wires: 16", 600V Rated

Approvals: UL Listed, UL916, C-UL, CE, RoHS

Housing Rating: UL Accepted for Use in Plenum, NEMA 1

Gold Flash: No

Override Switch: No

Contact Ratings:

20 A @ 277 Vac General Purpose

20 A @ 28 Vdc

1 HP @ 120 Vac

2 HP @ 277 Vac

2 HP @ 240 Vac (N/O)

1 HP @ 208 Vac (N/O)

20 A Ballast @ 277 Vac

15 A Tungsten @ 120 Vac (N/O)

5 A @ 480 Vac Resistive

16 A @ 277 Vac Electronic Ballast (N/O)

1110 VA Pilot Duty @ 277 Vac

1158 VA Pilot Duty @ 240 Vac (N/O)

770 VA Pilot Duty @ 208 Vac (N/O)

770 VA Pilot Duty @ 120 Vac

2 A Tungsten @ 120 Vac (N/C)

Coil Current:

145 mA max @ 24 Vac

65 mA max @ 30 Vdc

140 mA max @ 208-277 Vac

Coil Voltage Input:

24 Vac/dc ; 208-277 Vac ; 50-60 Hz

Drop Out = 13.5 Vac / 15.5 Vdc

Pull In = 18 Vac / 22 Vdc